

Coldrink 7CLM Systems

Quick-change chloramine reduction systems for fountain applications



APPLICATIONS

Fountain beverages

FEATURES AND BENEFITS

Reduces chloramines, chlorine taste and odor, and other offensive contaminants that can adversely affect the taste of beverages.

Improves the taste of fountain beverages and helps retain the drink's carbonation.

7CLM cartridge reduces dirt and particles as small as 1/2 micron in size and reduces possible health contaminants such as cysts.

Protects drink system seals, pump, tubing and small orifices from clogging, corrosion and abrasive wear.

20" prefilter reduces dirt and particulate.

Manifold features water shut-off, flushing valve, inlet and outlet pressure gauges.

Sanitary cartridge replacement is simple, quick and clean. Internal filter parts are never exposed to handling or contamination.

7CLM cartridge is NSF-approved for multiple flow rates and capacities to match your application and equipment needs.

NSF Certified under NSF/ANSI Standards 42 and 53.

OPERATIONAL TIPS

Change cartridges on a regular 6 month preventative maintenance program

Change cartridges when capacity is reached or when pressure decreases

Everpure water treatment systems (excluding replaceable elements) are covered by a limited warranty against defects in material and workmanship for a period of five years after date of purchase. Everpure replaceable elements (filter cartridges and water treatment cartridges) are covered by a limited warranty against defects in material and workmanship for a period of one year after date of purchase. See printed warranty for details. Everpure will provide a copy of the warranty upon request.



Coldrink 1 7CLM EV9327-11



Coldrink 2 7CLM EV9327-12



Coldrink 3 7CLM EV9327-13



Coldrink 4 7CLM EV9327-14

SPECIFICATIONS

System		System's Multiple Service Flow Rates	System's Multiple Rated Capacities
Coldrink 1 7CLM	EV9327-11	1.7 / 1.33 / 1.0 gpm (6.43 / 5.03 / 3.78 Lpm)	3,600 / 5,500 / 8,000 gal (13,267 / 20,820 / 30,286 L)
Coldrink 2 7CLM	EV9327-12	3.4 / 2.66 / 2.0 gpm (12.87 / 10.06 / 7.57 Lpm)	7,200 / 11,000 / 16,000 gal (27,255 / 41,639 / 60,566 L)
Coldrink 3 7CLM	EV9327-13	5.1 / 3.99 / 3.0 gpm (19.30 / 15.10 / 11.35 Lpm)	10,800 / 16,500 / 24,000 gal (40,882 / 62,459 / 90,850 L)
Coldrink 4 7CLM	EV9327-14	6.8 / 5.32 / 4.0 gpm (25.74 / 20.14 / 15.14 Lpm)	14,400 / 22,000 / 32,000 gal (54,509 / 83,279 / 121,133 L)

Coldrink 7CLM Systems

EV9327-11, EV9327-12, EV9327-13, EV9327-14

INSTALLATION TIPS

Mounts directly onto flat surface.

Install vertically so cartridge hangs down.

Allow 2½" clearance below the cartridge for easy cartridge replacement.

Flush filter by running water through filter according to cartridge instructions.

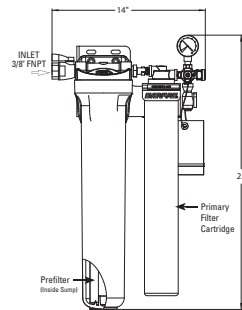
Refer to Installation, Operation & Maintenance Manual for cartridge flushing and start-up.



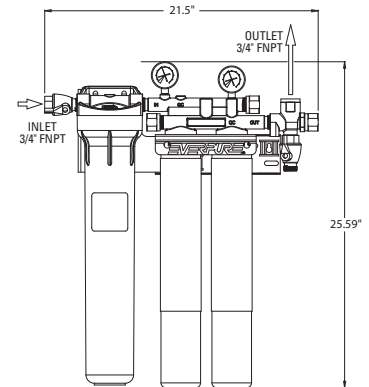
Systems Tested and Certified by NSF International against NSF/ANSI Standards 42 and 53 for the reduction of:

**Standard No. 42 —
Aesthetic Effects**
Chemical Reduction
Taste & Odor
Chlorine
Chloramines
Mechanical Filtration
Particulate Class I

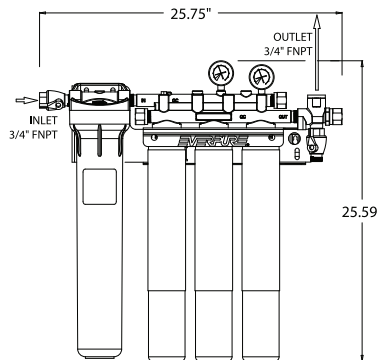
**Standard No. 53 —
Health Effects**
Mechanical Filtration
Turbidity
Cyst



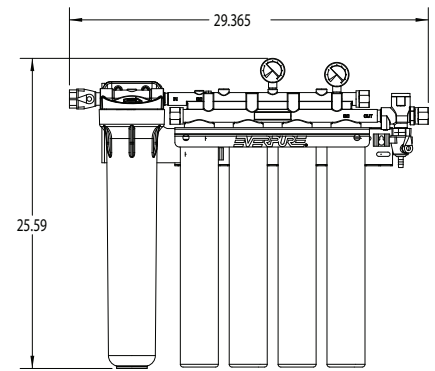
Coldrink 1 7CLM EV9327-11



Coldrink 2 7CLM EV9327-12



Coldrink 3 7CLM EV9327-13



Coldrink 4 7CLM EV9327-14

Everpure reserves the right to update specifications, change prices, or make substitutions without notice.

Coldrink 7CLM Systems MR11



WATER YOU CAN TRUST®

Visit our website at www.everpure.com

Everpure-SHURflo India
Green Boulevard, B-9/A, 7th Floor -
Tower B Sector 62, Noida - 201301
TEL: 91.120.419.9444
FAX: 91.120.419.9400
EMAIL: indiacustomer@pentair.com

Everpure-SHURflo Japan Inc.
Hashimoto MN Bldg. 7F
3-25-1 Hashimoto, Midori-ku
Sagamihara-Shi Kanagawa 252-0143
JAPAN
TEL: 81.(0)42.775.3011
FAX: 81.(0)42.775.3015
EMAIL: info@everpure.co.jp

Everpure-SHURflo China
21F Cloud 9 Plaza, No 1118,
Shanghai, 200052
CHINA
TEL: 86.21.3211.4588
FAX: 86.21.3211.4580
EMAIL: China.Water@Pentair.com

Pentair Filtration Solutions, LLC
World Headquarters-Everpure/SHURflo
North and South America Sales
1040 Muirfield Dr.
Hanover Park, Illinois 60133
USA
TEL: 800.942.1153 (US only)
TEL: 630.307.3000
FAX: 630.307.3030
EMAIL: cseverpure@pentair.com

Everpure-SHURflo Australia
2 Redwood Drive
Notting Hill
Victoria, 3168
AUSTRALIA
TEL: 011.61.39.574.4000
FAX: 011.61.39.562.7237
EMAIL: au.everpure@pentair.com

Everpure-SHURflo Southeast Asia
18 Boon Lay Way
#04-110/111
TradeHub 21, 609966
SINGAPORE
TEL: 65.6795.2213
FAX: 65.6795.2219
EMAIL: cseverpure@pentair.com

Everpure-SHURflo Europe
Pentair Water Belgium bvba
Industriepark Wolfstee
Toekomstlaan
30 B-2200 Herentals, BELGIUM
TEL: +32.(0).14.283.500
FAX: +32.(0).14.283.505
EMAIL: sales@everpure-europe.com